

NICHIJO



HTR406

ROTARY SNOWPLOW — 300kW class —

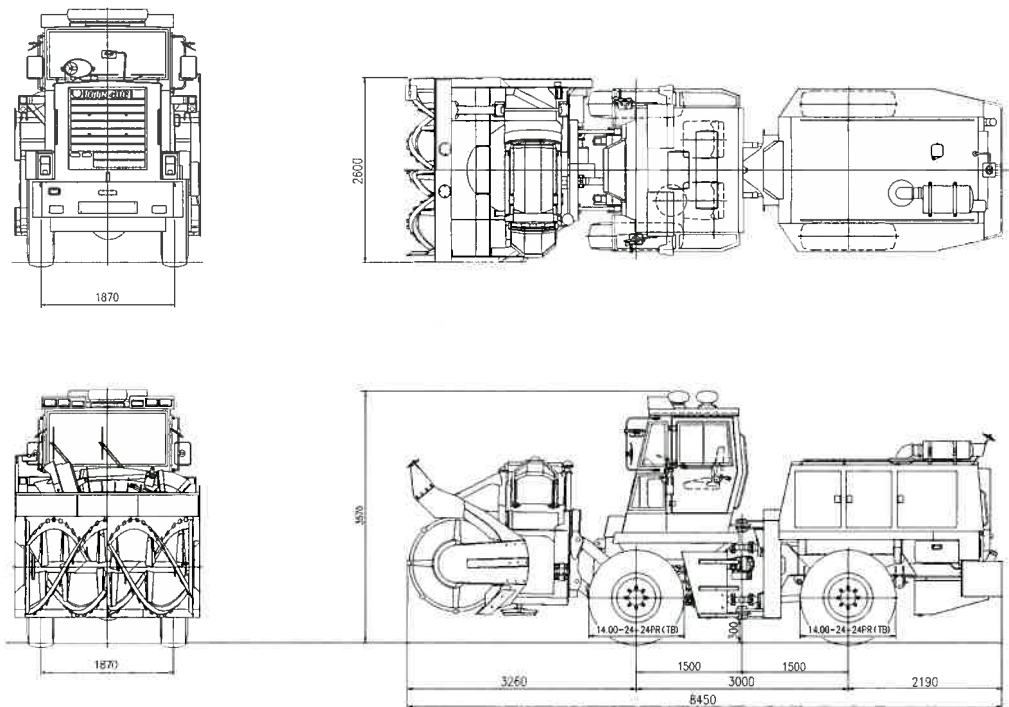
NICHIJO
MANUFACTURING CO.,LTD.

The HTR406 ensures powerful snow removal on major roads in snowy areas and on mountainous roads. It also displays the best abilities of a large-sized snow removal machine at airports and on expressways, where rapid snow removal is required.

PERFORMANCE	
Max. Snow Clearing Capacity	3,400 ton/h
Clearing Width	2,600 mm
Clearing Height	1,750 mm
Snow Casting Distance	20/30/40 m
Travel Speed	0-49 km/h
Clearing Speed	0-30 km/h
Turning Radius	6,600 mm
DIMENSIONS	
Overall Length	8,450 mm
Overall Width	2,600 mm
Overall Height	3,570 mm

VEHICLE	
Type	4 Wheel Drive/Articulated Steering
Total Weight	17,060 kg
Crew	2
ENGINE	
Type	Rear/CAT C15 ACERT Diesel Engine
Rated Output	328kW/2,100rpm
CLEARING DEVICE	
Type	2 Stage
Auger Type	Ribbon Screw
Blower Type	5 Wings

Specifications may change without notice.



NICHIGO MANUFACTURING CO.,LTD.

Head Office/
Factory 4-38, Inaho 3-jo 6-chome, Teine-ku, Sapporo
006-0033 JAPAN
TEL:+81 (0)11-681-3115 FAX:+81 (0) 11-682-1336

Tokyo Office YTS Bldg., 9-7,
Higashi-Ueno 1-chome, Taito-ku, Tokyo
110-0015 JAPAN
TEL:+81 (0) 3-3832-0712 FAX:+81 (0) 3-3832-4017

Tohoku Office Odakyu-Sendai-Higashiguchi Bldg., 2-26,
Shintera 1-chome, Wakabayashi-ku, Sendai
984-0015 JAPAN
TEL:+81 (0) 22-284-9821 FAX:+81 (0) 22-284-9824

Hokuriku Office WIN21, 10-1, Sasaguchi 2-chome, Niigata
950-0911 JAPAN
TEL:+81 (0) 25-240-1116 FAX:+81 (0) 25-240-1117

URL:<http://www.nichigo.co.jp>