

NICHIGO



HTR 83

ROTARY SNOWPLOW —60kW class—

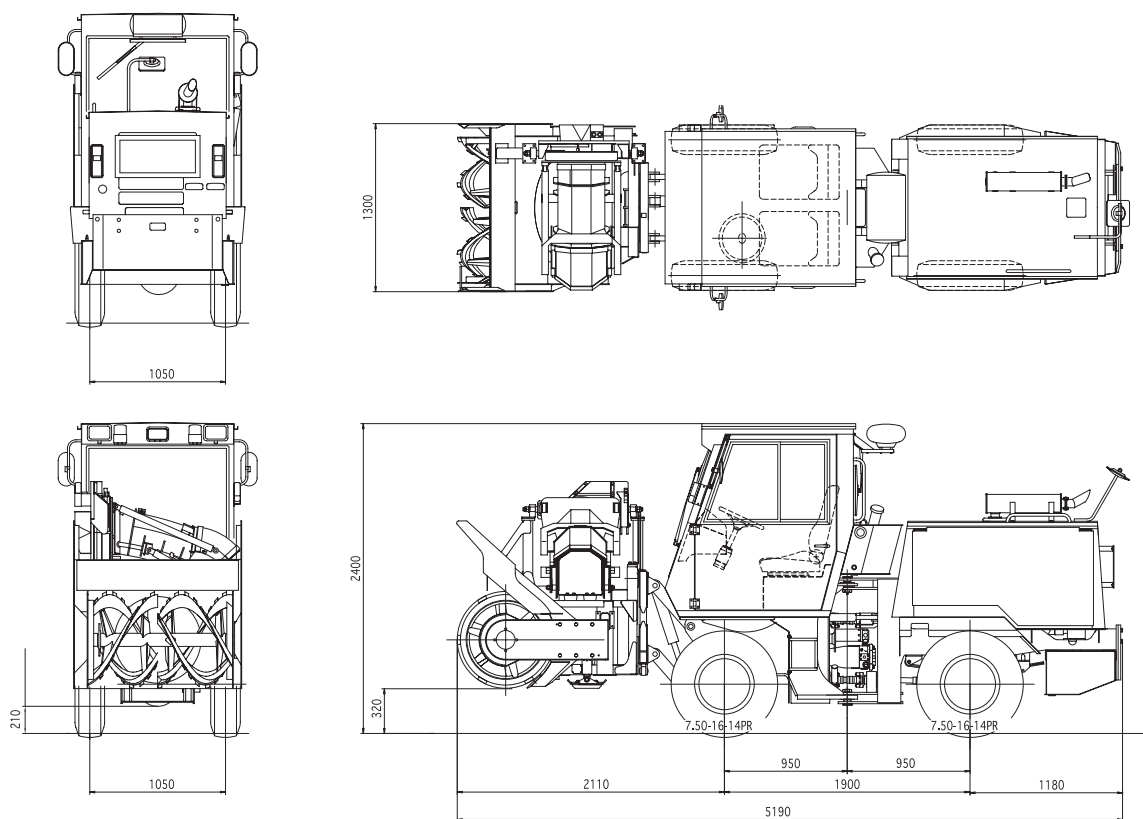
NICHIGO
MANUFACTURING CO.,LTD.

The HTR83 cruises along the narrowest of back streets and side walks.

PERFORMANCE	
Max. Snow Clearing Capacity	750 ton/h
Clearing Width	1,500/1,300 mm*
Clearing Height	1,000 mm
Snow Casting Distance	12/21 m
Travel Speed	0-40 km/h
Clearing Speed	0-21 km/h
Turning Radius	3,900 mm
DIMENSIONS	
Overall Length	5,190 mm
Overall Width	1,500/1,300 mm*
Overall Height	2,400 mm

VEHICLE	
Type	4 Wheel Drive/Articulated Steering
Total Weight	5,070 kg
Crew	2
ENGINE	
Type	Isuzu 6BG1 Diesel Engine
Rated Output	68kW/2,000rpm
CLEARING DEVICE	
Type	2 Stage
Orga Type	Ribbon Screw
Blower Type	4 Wings

*the clearing device can be altered between 1,500mm and 1,300mm.
Specifications may change without notice



NICHIJO MANUFACTURING CO.,LTD.

Head Office/ Factory 4-38, Inaho 3-jo 6-chome, Teine-ku, Sapporo 006-0033 JAPAN
TEL:+81 (0)11-681-3115 FAX:+81 (0) 11-682-1336

Tokyo Office Pigeon Higashi-Ueno Bldg., 9-7, Higashi-Ueno 1-chome, Taito-ku, Tokyo 110-0015 JAPAN
TEL:+81 (0) 3-3832-0712 FAX:+81 (0) 3-3832-4017

Tohoku Office Oroshimachi-Saiki Bldg., 2-10, Oroshi-machi 5-chome, Wakabayashi-ku, Sendai 984-0015 JAPAN
TEL:+81 (0) 22-284-9821 FAX:+81 (0) 22-284-9824

Hokuriku Office WIN21, 10-1, Sasaguchi 2-chome, Niigata 950-0911 JAPAN
TEL:+81 (0) 25-240-1116 FAX:+81 (0) 25-240-1117

URL:<http://www.nichijo.co.jp>